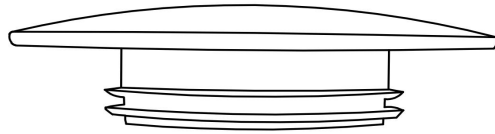


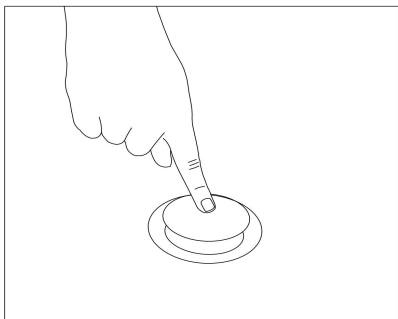
Freestanding Bath Waste Cover Instruction Manual



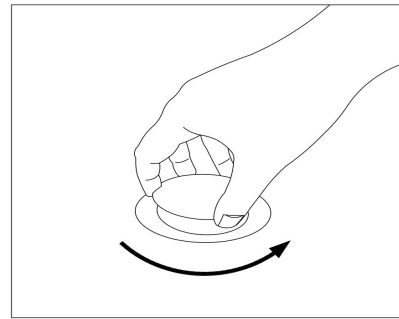
This waste cover is an accessory for the waste assembly; it is intended for replacing the colored cover rather than being used as an independent product.

Replacement steps

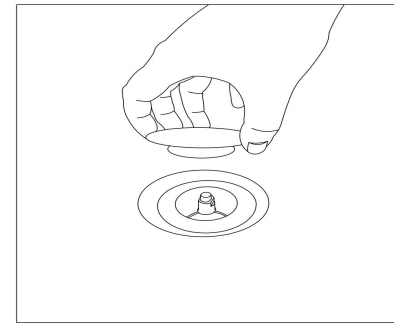
1. Push the waste and pop up the cover.
2. Unscrew the waste cover.
3. Remove the waste cover.
4. Install a new waste cover.
5. If the waste cover is taken off with the waste bounce, the cover can be screwed off with a wrench and a new waste cover could be installed on the bounce.



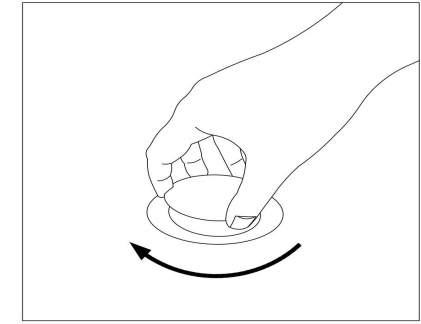
Step 1



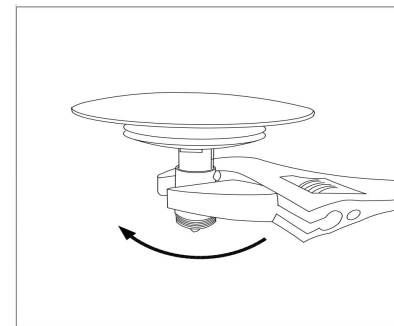
Step 2



Step 3



Step 4



Step 5

Warning

Please ensure that the pop up waste is siliconed and tight before any water is placed in the bath. Water test should be done before use to avoid any leakage.

Technical Helpline: 01452 317890
Email: technical@eastbrookco.com
Eastbrook Road, Gloucester GL4 3DB